

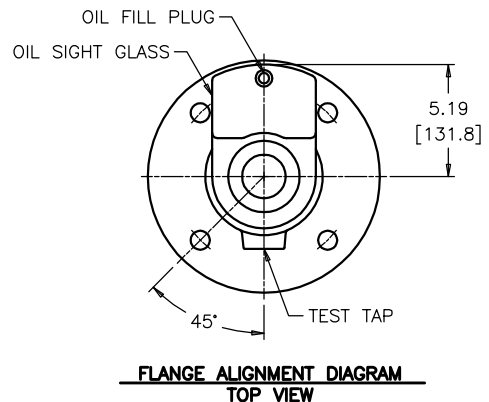
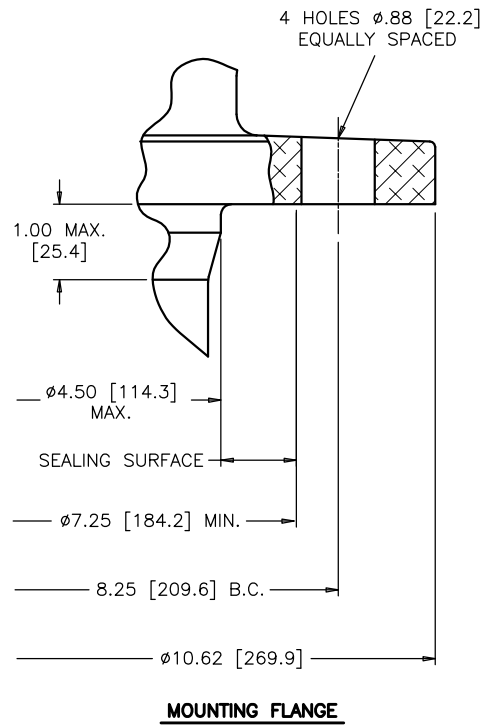
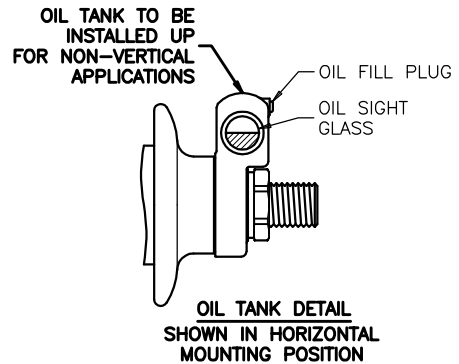
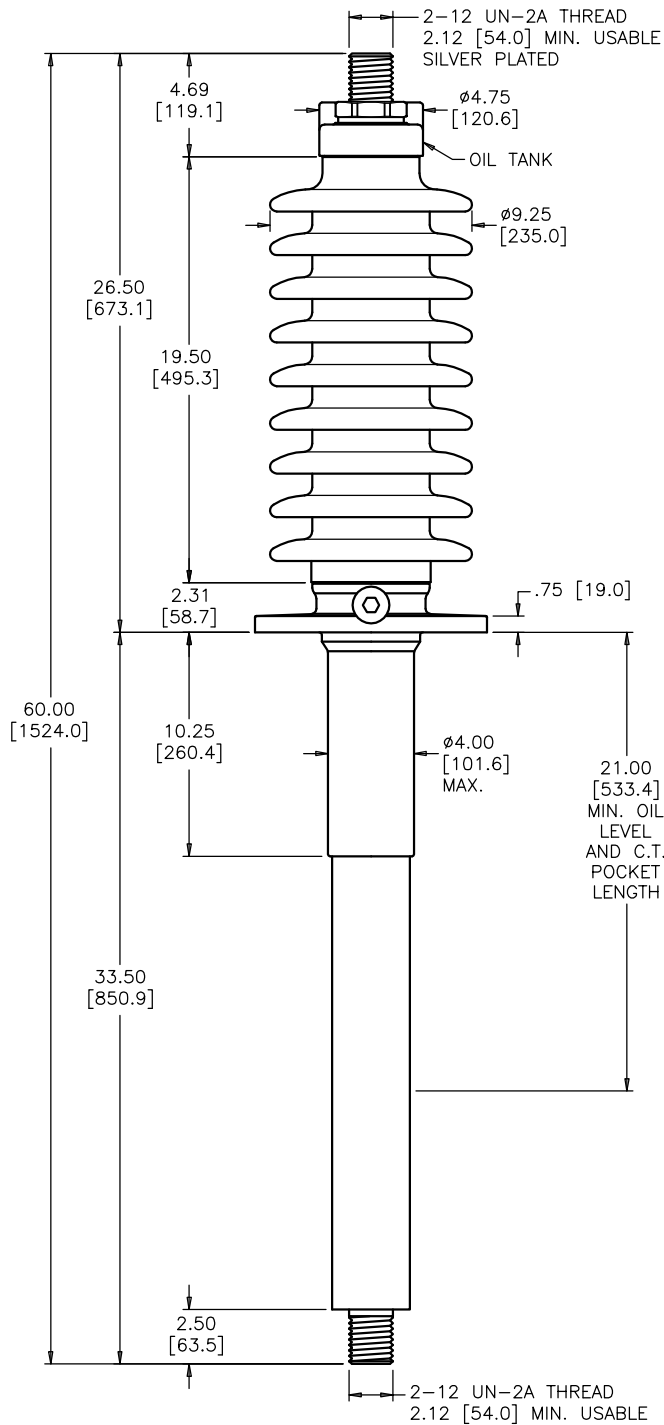


PCORE
ELECTRIC

KV CLASS 46 kV	BIL 250 kV	Uy 29 kV
CURRENT RATING		
2000 AMP BOTTOM CONNECTION		
MIN. CREEP 49.00 [1244.6]	MIN. STRIKE 21.00 [533.4]	
CREEP/L-G 1.85 [46.9]	STD. IEEE C57.19.00/01	
PCB CONTENT OF OIL IS LESS THAN 1 ppm		

DWG.	CATALOG NUMBER	GLAZE COLOR
SD	B-89423-40	BROWN
SD	B-89423-40-70	LT. GRAY
TITLE		
PRC BUSHING ASSEMBLY		
HORIZONTAL/VERTICAL MOUNTING		

DATE 7-22-15	REV. DATE
MAXIMUM ALTITUDE 10000 ft [3000 m]	
NET WEIGHT 140 lb [63.5 kg]	
ANGLE OF INCLINATION FROM THE VERTICAL 0° TO 90°	



DIMENSIONS IN INCHES [MILLIMETERS]

REVISION

SCALE 1/6

NOTE TO PURCHASER:
ALL SALES OF PCORE PRODUCTS ARE SUBJECT TO OUR STANDARD TERMS AND CONDITIONS AND THE LIMITED WARRANTIES THEREUNDER